

554759-1 ✓ ACTIVE

CHAMP

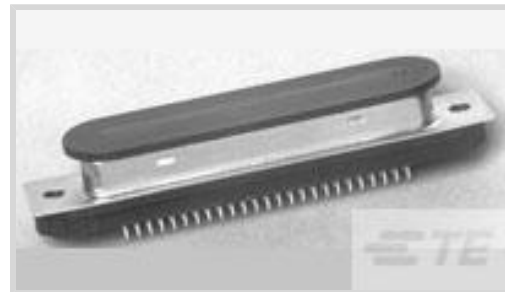
TE Internal #: 554759-1

PCB D-Sub Connectors, Plug, Cable-to-Board, 64 Position, 2.16 mm  
[.085 in] Centerline, 2 Row, Standard Profile, Vertical, PCB Mount  
Retention

[View on TE.com >](#)



Connectors > D-Shaped Connectors > D-Sub Connectors > PCB D-Sub Connectors > D-Sub Plug Assembly: Vertical, Action Pin, 2.16mm



Connector & Housing Type: **Plug**

Connector System: **Cable-to-Board**

Number of Positions: **64**

Centerline (Pitch): **2.16 mm [ .085 in ]**

Number of Rows: **2**

[All D-Sub Plug Assembly: Vertical, Action Pin, 2.16mm \(4\)](#)

## Features

### Product Type Features

Grounded	No
Connector & Housing Type	Plug
Connector System	Cable-to-Board
Sealable	No
Connector & Contact Terminates To	Printed Circuit Board
Shielded	No
Product Type	Connector
Orientation	Standard

### Configuration Features

Number of Positions	64
Number of Rows	2
PCB Mount Orientation	Vertical
Preloaded	Yes

### Body Features

Connector Profile	Standard
Color	Natural

### Contact Features



Contact Mating Area Plating Material	Gold
Contact Base Material	Copper Alloy
Contact Current Rating (Max)	3 A
	30 $\mu$ m

### Termination Features

Termination Method to Printed Circuit Board	Through Hole - Press-Fit
Termination Post Length	4.58 mm

### Mechanical Attachment

Panel Attachment Style	Rear Mount
PCB Mount Alignment	Without
Panel Mount Feature	With
PCB Mount Retention	With
PCB Mount Retention Type	Action/Compliant Tail
Mating Retention	Without
Connector Mounting Type	Board Mount
Mounting Hole Diameter	3.3 mm

### Housing Features

Centerline (Pitch)	2.16 mm [.085 in]
Housing Material	Polyester GF
Housing Color	Black

### Dimensions

Row-to-Row Spacing	4.06 mm [.16 in]
PCB Thickness (Recommended)	1.57 – 3.18 mm [.062 – .125 in]

### Usage Conditions

Operating Temperature Range	-55 – 105 °C [-67 – 221 °F]
-----------------------------	-----------------------------

### Operation/Application

Circuit Application	Signal
---------------------	--------

### Industry Standards

UL Flammability Rating	UL 94V-0
------------------------	----------

### Packaging Features

Packaging Method	Tray
------------------	------



Packaging Quantity 20

**Other**

Comment	Contains self retained terminals.
---------	-----------------------------------

**Product Compliance**

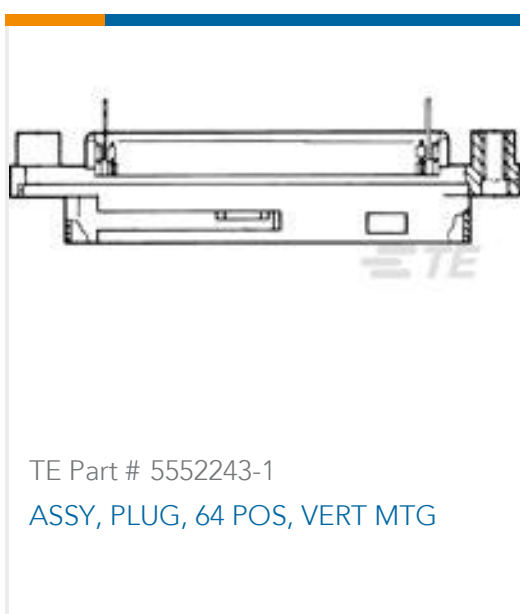
[For compliance documentation, visit the product page on TE.com>](#)

EU RoHS Directive 2011/65/EU	Compliant
EU ELV Directive 2000/53/EC	Compliant
China RoHS 2 Directive MIIT Order No 32, 2016	No Restricted Materials Above Threshold
EU REACH Regulation (EC) No. 1907/2006	Current ECHA Candidate List: JUNE 2022 (224) Candidate List Declared Against: JUN 2013 (144) SVHC > Threshold: Not Yet Reviewed
Halogen Content	Not Yet Reviewed for halogen content
Solder Process Capability	Not applicable for solder process capability

Product Compliance Disclaimer

This information is provided based on reasonable inquiry of our suppliers and represents our current actual knowledge based on the information they provided. This information is subject to change. The part numbers that TE has identified as EU RoHS compliant have a maximum concentration of 0.1% by weight in homogenous materials for lead, hexavalent chromium, mercury, PBB, PBDE, DBP, BBP, DEHP, DIBP, and 0.01% for cadmium, or qualify for an exemption to these limits as defined in the Annexes of Directive 2011/65/EU (RoHS2). Finished electrical and electronic equipment products will be CE marked as required by Directive 2011/65/EU. Components may not be CE marked. Additionally, the part numbers that TE has identified as EU ELV compliant have a maximum concentration of 0.1% by weight in homogenous materials for lead, hexavalent chromium, and mercury, and 0.01% for cadmium, or qualify for an exemption to these limits as defined in the Annexes of Directive 2000/53/EC (ELV). Regarding the REACH Regulations, TE's information on SVHC in articles for this part number is still based on the European Chemical Agency (ECHA) 'Guidance on requirements for substances in articles' (Version: 2, April 2011), applying the 0.1% weight on weight concentration threshold at the finished product level. TE is aware of the European Court of Justice ruling of September 10th, 2015 also known as O5A (Once An Article Always An Article) stating that, in case of 'complex object', the threshold for a SVHC must be applied to both the product as a whole and simultaneously to each of the articles forming part of its composition. TE has evaluated this ruling based on the new ECHA "Guidance on requirements for substances in articles" (June 2017, version 4.0) and will be updating its statements accordingly.

**Compatible Parts**





## Documents

### Product Drawings

#### PLUG ASSY, 64 POSN, ACTION PIN

English

---

### CAD Files

#### 3D PDF

English

#### Customer View Model

##### ENG\_CVM\_554759-1\_F.2d\_dxf.zip

English

#### Customer View Model

##### ENG\_CVM\_554759-1\_F.3d\_igs.zip

English

#### Customer View Model

##### ENG\_CVM\_554759-1\_F.3d\_stp.zip

English

By downloading the CAD file I accept and agree to the [Terms and Conditions](#) of use.

---

### Product Specifications

#### Application Specification

English

#### CHAMP Action Pin Connectors

English

---

### Instruction Sheets

#### Instruction Sheet (U.S.)

English

#### AMP CHAMP ACTION PIN Connectors (Preloaded)

English

#### Instruction Sheet (U.S.)

English

#### AMP\* CHAMP\* SELF-RETAINED ACTION PIN\* CONNECTORS (PRELOADED)

English

---

### Agency Approvals

#### CSA Certificate

English